

# SupIR 40-300mm f/1.5, Motorized Continuous Zoom 680264

**HD**  
FORMAT

## WFOV(40mm)

HFOV	320x240	640x480	1024x768	1280x1024
17μ	8.3°	16.6°	26.8°	
12μ	5.8°	11.7°	18.8°	23.5°

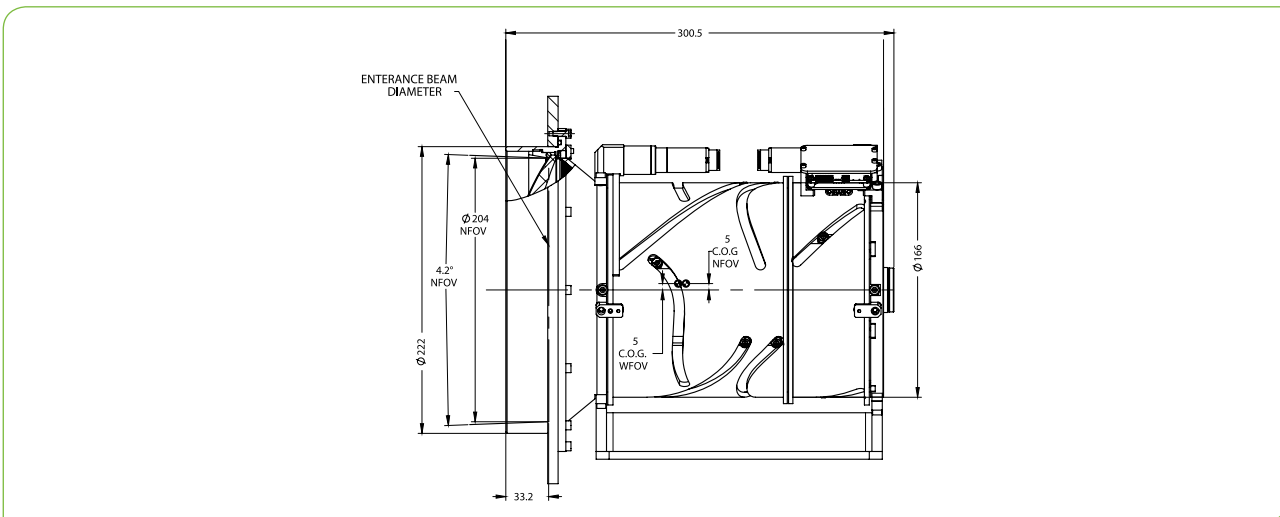
## NFOV(300mm)

HFOV	320x240	640x480	1024x768	1280x1024
17μ	1.0°	2.1°	3.3°	
12μ	0.7°	1.5°	2.3°	2.9°



LWIR | ZOOM

Property	Value	
<b>Optical</b>	<b>WFOV</b>	<b>NFOV</b>
Focal Length	40mm	300mm
F#	1.5	
Average transmission (8-12μm)	92% (HD) / 88% (LRHC)	
Back Focal Length	56mm in air	
Minimum Focus Range	2m	10m
Nuc (by defocus)	Yes	
<b>Mechanical</b>		
Focus Mechanism	Motorized	
Focus Time (minimum range to ∞)	≤1 sec.	
Zoom Mechanism	Motorized	
Zoom Time (NFOV to WFOV)	≤9 sec. at -32°C; ≤6 sec. at T ≥ 0°C	
Weight	9.5kg	
Max. Dimensions	Ø222mm x 300.5mm	



LWIR | ZOOM

Property	Value				
<b>Electrical</b>					
Lens Control	Designated lens controller				
Supply Voltage	12V				
Current Consumption	< 0.8A average, 1.5A peak				
Communication Protocol	RS422				
<b>Environmental</b>					
Operation Temperature	-32°C to +75°C				
Storage Temperature	-54°C to +85°C				
Sealing	IP 67 front element only				
Configurations	Weight (gr)	Dimensions	BWD**	Interface	Coating
680264-003					HD
680264-004	9500	Ø222mm x 300.5mm	9.7	M34x0.5 (via adapter)	LRHC
680264-005					HC

\* The ICD drawing provided here is primarily a representation and may not accurately reflect the product's actual dimensions and specifications. For precise integration specifications contact your local sales representative.

\*\* The BWD value is calculated for a unique detector setup with varying sealing windows in terms of thickness and material. For more details, contact your local sales representative.